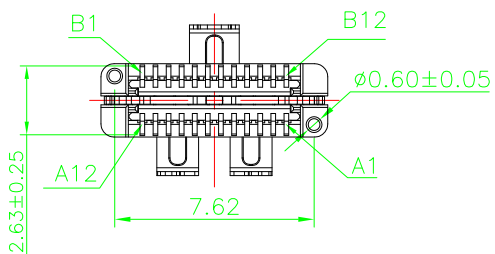
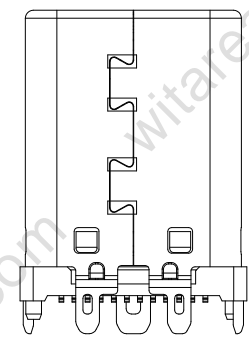
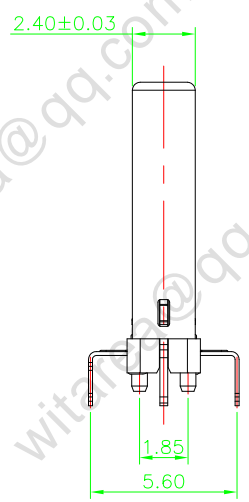
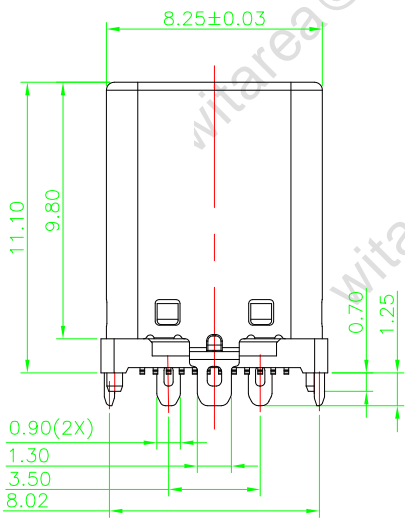
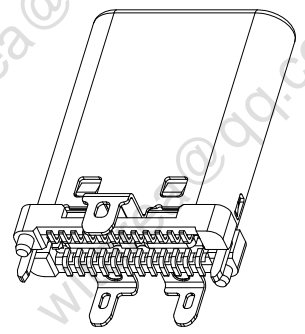
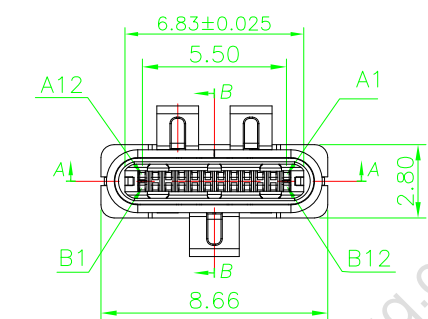


RoHS Compliant

THIS DRAWING CONTAINS INFORMATION THAT IS PROPRIETARY TO WITAREA TECHNOLOGY, AND SHOULD NOT BE USED WITHOUT WRITTEN PERMISSION

REV	ECN No.	DATE	REMARK
A	NEW	2022.07.11	NEW RELEASE



NOTE:  
 1.MATERIAL SPECIFICATION:  
 1.HOUSING&PICKUP COVER:LCP,UL94 V-0.  
 2.CONTACTS: COPPER ALLOY(C7025)  
 3.SPRING: STAINLESS STEEL(SUS301)  
 4.SHELL: STAINLESS STEEL(SUS304)  
 2.PLATING SPECIFICATION:  
 2-1.CONTACTS:  
 Ni 50u" MIN. UNDER PLATED OVER ALL.  
 Au PLATED ON THE FUNCTIONAL AREA OF CONTACT.  
 (GOLD PLATING THICKNESS FOLLOW THE P/N)  
 PLATING SPECIFICATIONS OF THE SOLDER AREA FOLLOW THE P/N  
 2-2.FRONT SHELL:  
 Ni 30u" MIN. UNDER PLATED OVER ALL.  
 2-3.SPRING:  
 Ni 50u" MIN. UNDER PLATED OVER ALL.  
 80u" MIN. TIN PLATED ON SOLDER AREA.  
 3.MECHANICAL PERFORMANCE,  
 3-1.INSERTION FORCE: 0.5~2.0kgf.  
 3-2.EXTRACTION FORCE: 0.8kgf~2.0kgf.  
 3-3.DURABILITY: 10000 CYCLES.  
 4.ELECTRICAL PERFORMANCE,  
 4-1. CURRENT RATING:3.0A  
 VOLTAGE RATING:5.0V  
 4-2. LLCR:  
 VBUS & GND PINS AND OTHER PINS: 40mΩ/PIN MAX.  
 SHIELD: 50mΩ/MAX.  
 LLCR MAX. CHANGE OF ALL PINS: 10mΩ.  
 4-3.INSULATION RESISTANCE: 100MΩ MIN  
 4-4.DIELECTRIC WITHSTAND VOLTAGE,AC 100V FOR 1 MINUTE.  
 5. ENVIRONMENTAL PERFORMANCE:  
 OPERATING TEMPERATURE: +25°C~+85°C.  
 6.IR REFLOW:  
 THE PEAK TEMPERATURE ON THE BOARD SHALL BE MAINTAINED FOR 10 SECONDS AT 260°C.  
 7. PART NUMBER CODE:

PART NO.:  
SEE THE PART NUMBER CODE

深圳市纬域科技有限公司  
SHENZHEN WITAREA TECHNOLOGY CO., LTD

DRAWN BY DATE  
SAM 2022.07.11

QUALITY SYMBOL	0	GENERAL TOLERANCES (UNLESS SPECIFIED)	
	0	x.xxxxx	± ---
	1	x.xxx	± 0.10
	2	x.xx	± 0.25
	3	x.x	± 0.30
4	ANGULAR	± ---	

TITLE	TYPE C公头直立式三支脚, 脚距1.75	
DWG.NO.	W0025-24-VM1-S1	SHEET NO. 1 OF 2
DIMENSION STYLE	MM ONLY	DESIGN UNITS METRIC
SCALE	1:1	

CHECKED BY DATE  
JAY 2022.07.11

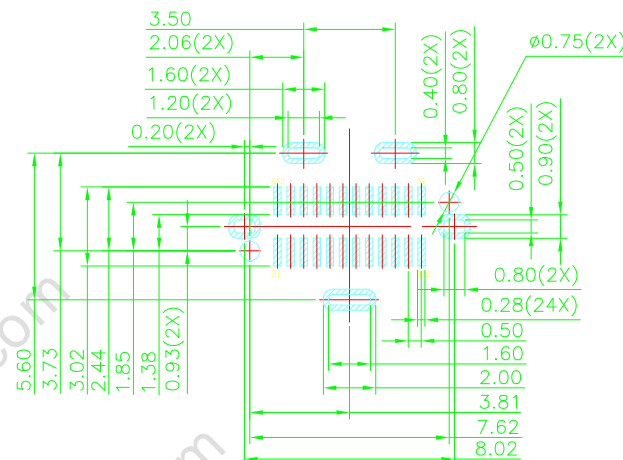
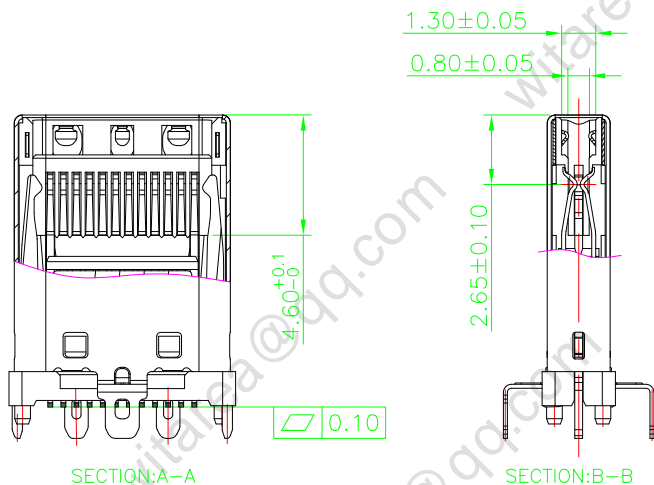
APPROVED BY DATE  
JACKY 2022.07.11

THIRD ANGLE PROJECTION

RoHS Compliant

THIS DRAWING CONTAINS INFORMATION THAT IS PROPRIETARY TO WITAREA TECHNOLOGY, AND SHOULD NOT BE USED WITHOUT WRITTEN PERMISSION

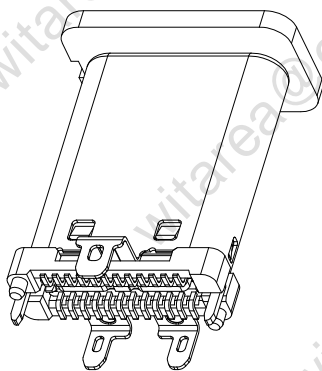
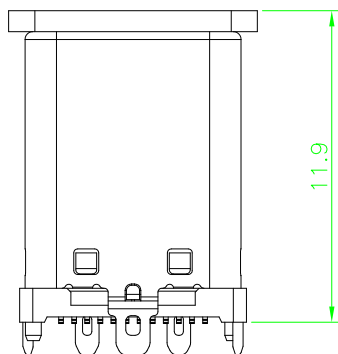
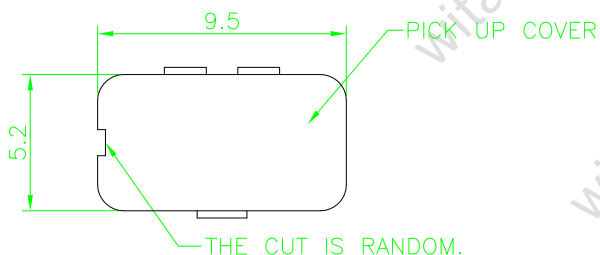
REV	ECN No.	DATE	REMARK
A	NEW	2022.07.11	NEW RELEASE



RECOMMENDED PCB LAYOUT(TOP VIEW)  
THICKNESS 0.8±0.10MM;DEFAULT TOLERANCE:±0.05

USB TYPE-C PIN ASSIGNMENTS

PIN NUMBER	SIGNAL NAME	PIN NUMBER	SIGNAL NAME
A1	GND	B12	GND
A2	SSTXp1	B11	SSRXp1
A3	SSTXn1	B10	SSRXn1
A4	Vbus	B9	Vbus
A5	CC1	B8	SBU2
A6	Dp1	B7	Dn2
A7	Dn1	B6	Dp2
A8	SBU1	B5	CC2
A9	Vbus	B4	Vbus
A10	SSRXn2	B3	SSTXn2
A11	SSRXp2	B2	SSTXp2
A12	GND	B1	GND



AFTER WITH PICKUP COVER

PART NO.:  
SEE THE PART NUMBER CODE

深圳市纬域科技有限公司  
SHENZHEN WITAREA TECHNOLOGY CO., LTD

DRAWN BY DATE  
SAM 2022.07.11

QUALITY SYMBOL	GENERAL TOLERANCES (UNLESS SPECIFIED)	
	x.xxxxx	± ---
	x.xxx	± 0.10
	x.xx	± 0.25
	x.x	± 0.30
ANGULAR	± ---	

TITLE TYPE C公头直立式三支脚, 脚距1.75		CHECKED BY DATE JAY 2022.07.11	
DWG.NO. W0025-24-VM1-S1	SHEET NO. 2 OF 2	APPROVED BY DATE JACKY 2022.07.11	
DIMENSION STYLE MM ONLY	DESIGN UNITS METRIC	SCALE 1:1	

THIRD ANGLE PROJECTION