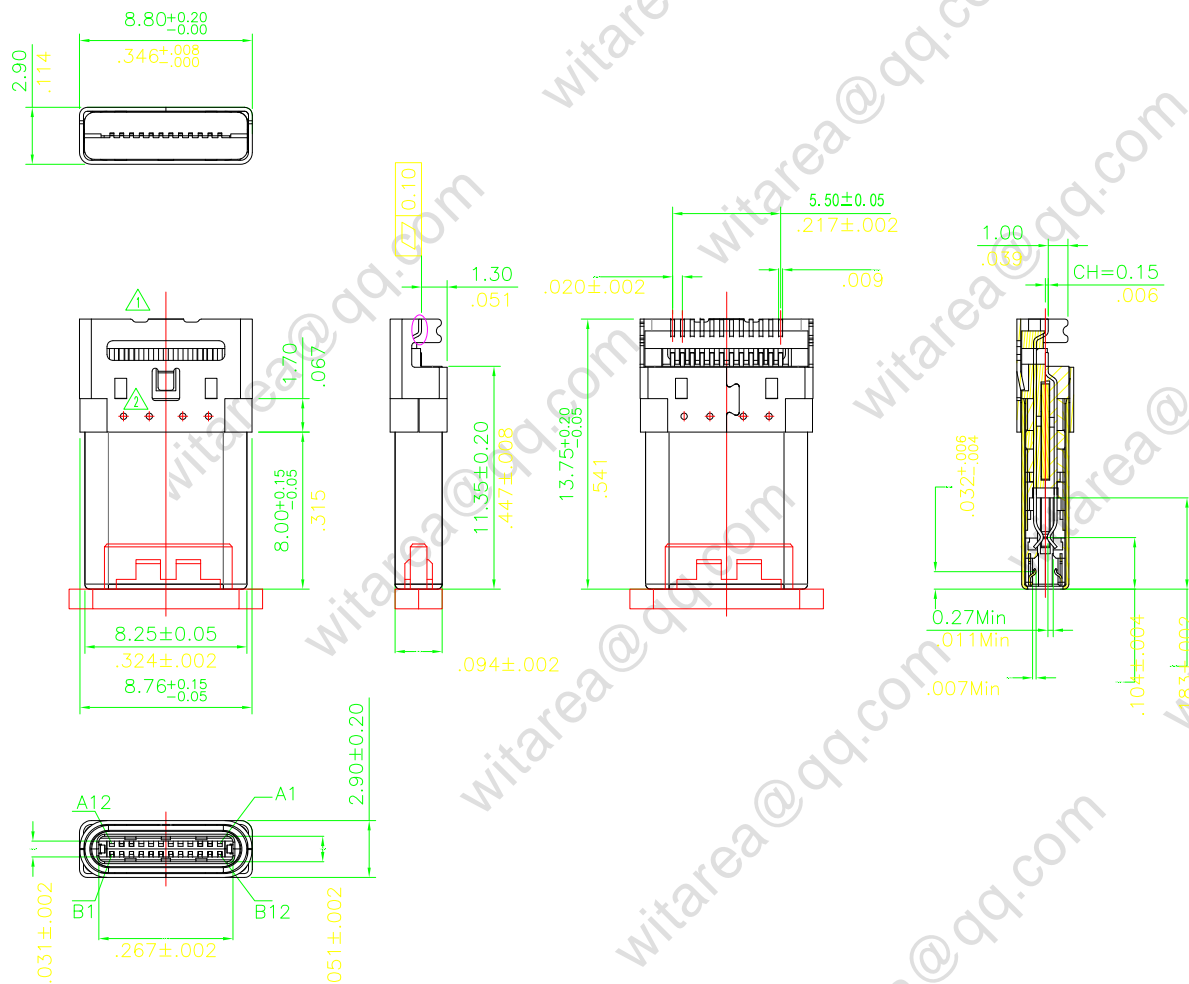


RoHS Compliant

THIS DRAWING CONTAINS INFORMATION THAT IS PROPRIETARY TO WITAREA TECHNOLOGY, AND SHOULD NOT BE USED WITHOUT WRITTEN PERMISSION

REV	ECN No.	DATE	REMARK
A	NEW	2021.09.28	NEW RELEASE



NOTE:
 1.MATERIAL SPECIFICATION:
 1.HOUSING&PICKUP COVER:LCP,UL94 V-0.
 2.CONTACTS: COPPER ALLOY(C7025)
 3.SPRING: STAINLESS STEEL(SUS301)
 4.SHELL: STAINLESS STEEL(SUS304)
 2.PLATING SPECIFICATION:
 2-1.CONTACTS:
 Ni 50u" MIN. UNDER PLATED OVER ALL.
 Au PLATED ON THE FUNCTIONAL AREA OF CONTACT.
 (GOLD PLATING THICKNESS FOLLOW THE P/N)
 PLATING SPECIFICATIONS OF THE SOLDER AREA FOLLOW THE P/N
 2-2.FRONT SHELL:
 Ni 30u" MIN. UNDER PLATED OVER ALL.
 2-3.SPRING:
 Ni 50u" MIN. UNDER PLATED OVER ALL.
 80u" MIN. TIN PLATED ON SOLDER AREA.
 3.MECHANICAL PERFORMANCE,
 3-1.INSERTION FORCE: 0.5~2.0kgf.
 3-2.EXTRACTION FORCE: 0.8kgf~2.0kgf.
 3-3.DURABILITY: 10000 CYCLES.
 4.ELECTRICAL PERFORMANCE,
 4-1. CURRENT RATING:3.0A
 VOLTAGE RATING:5.0V
 4-2. LLCR:
 VBUS & GND PINS AND OTHER PINS: 40mΩ/PIN MAX.
 SHIELD: 50mΩ/MAX.
 LLCR MAX. CHANGE OF ALL PINS: 10mΩ.
 4-3.INSULATION RESISTANCE: 100MΩ MIN
 4-4.DIELECTRIC WITHSTAND VOLTAGE,AC 100V FOR 1 MINUTE.
 5. ENVIRONMENTAL PERFORMANCE:
 OPERATING TEMPERATURE: +25°C~+85°C.
 6.IR REFLOW:
 THE PEAK TEMPERATURE ON THE BOARD SHALL BE MAINTAINED FOR 10 SECONDS AT 260°C.

PART NO.: SEE THE PART NUMBER CODE		深圳市纬域科技有限公司 SHENZHEN WITAREA TECHNOLOGY CO., LTD		DRAWN BY SAM	DATE 2022.07.11
QUALITY SYMBOL 0 = ▽ 0 11	GENERAL TOLERANCES (UNLESS SPECIFIED)	TITLE USB TYPE C PLUG SMT MIDDLE MOUNT,RA,L=13.75MM		CHECKED BY JAY	DATE 2022.07.11
	x.xxxxx	±	---	APPROVED BY JACKY	DATE 2022.07.11
	x.xxx	±	0.10		
	x.xx	±	0.25		
x.x	±	0.30			
ANGULAR	±	---	DWG.NO. W0025-24-MMI-S3	SHEET NO. 1 OF 3	SCALE 1:1
		DIMENSION STYLE MM ONLY	DESIGN UNITS METRIC	THIRD ANGLE PROJECTION	

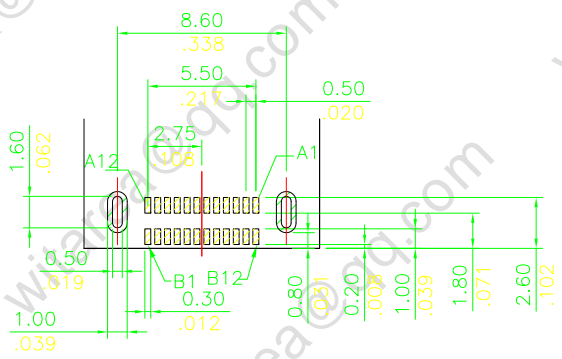
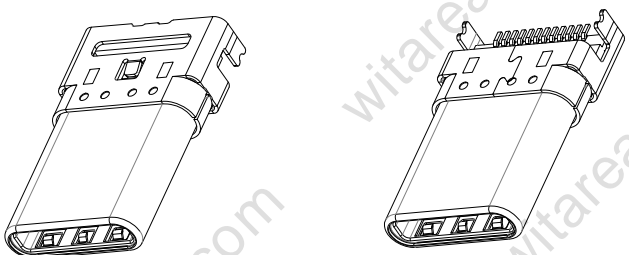
由 Autodesk 教育版产品制作

由 Autodesk 教育版产品制作

RoHS Compliant

THIS DRAWING CONTAINS INFORMATION THAT IS PROPRIETARY TO WITAREA TECHNOLOGY, AND SHOULD NOT BE USED WITHOUT WRITTEN PERMISSION

REV	ECN No.	DATE	REMARK
A	NEW	2021.09.28	NEW RELEASE



RECOMMENDED P.C.B. LAYOUT
T=0.80(.031) OR 1.00(.040)mm
TOLERANCE UNSPECIFIED ±0.05mm

USB TYPE-C FULL-FEATURED RECEPTACLE INTERFACE PIN ASSIGNMENTS

PIN	Signal Name	Description	PIN	Signal Name	Description
A1	GND	Ground return	B12	GND	Ground return
A2	SSTXp1	Positive half of first SuperSpeed TX differential pair	B11	SSRXp1	Positive half of first SuperSpeed RX differential pair
A3	SSTXn1	Negative half of first SuperSpeed TX differential pair	B10	SSRXn1	Negative half of first SuperSpeed RX differential pair
A4	Vbus	Bus Power	B9	VBUS	Bus Power
A5	CC1	Configuration Channel	B8	SBU2	Sideband Use(SBU)
A6	Dp1	Positive half of the USB 2.0 differential pair-Position 1	B7	Dn2	Negative half of the USB 2.0 differential pair-Position 2
A7	Dn1	Negative half of the USB 2.0 differential pair-Position 1	B6	Dp2	Positive half of the USB 2.0 differential pair-Position 2
A8	SBU1	Sideband Use(SBU)	B5	CC2	Configuration Channel
A9	VBUS	Bus Power	B4	VBUS	Bus Power
A10	SSRXn2	Negative half of second SuperSpeed RX differential pair	B3	SSTXn2	Negative half of second SuperSpeed TX differential pair
A11	SSRXp2	Positive half of second SuperSpeed RX differential pair	B2	SSTXp2	Positive half of second SuperSpeed TX differential pair
A12	GND	Ground return	B1	GND	Ground return

PART NO.: SEE THE PART NUMBER CODE		深圳市纬域科技有限公司 SHENZHEN WITAREA TECHNOLOGY CO., LTD		DRAWN BY SAM	DATE 2022.07.11
QUALITY SYMBOL 0 = 0 ▽ 0 0 11	GENERAL TOLERANCES (UNLESS SPECIFIED)		TITLE USB TYPE C PLUG SMT MIDDLE MOUNT,RA,L=13.75MM		
	x.xxxxx	± ---	DWG.NO. W0025-24-MM1-S3	CHECKED BY JAY	
	x.xxx	± 0.10		DATE 2022.07.11	
	x.xx	± 0.25		APPROVED BY JACKY	
	x.x	± 0.30		DATE 2022.07.11	
ANGULAR	± ---	SHEET NO. 2 OF 3			
DIMENSION STYLE MM ONLY		DESIGN UNITS METRIC	SCALE 1:1		
THIRD ANGLE PROJECTION					

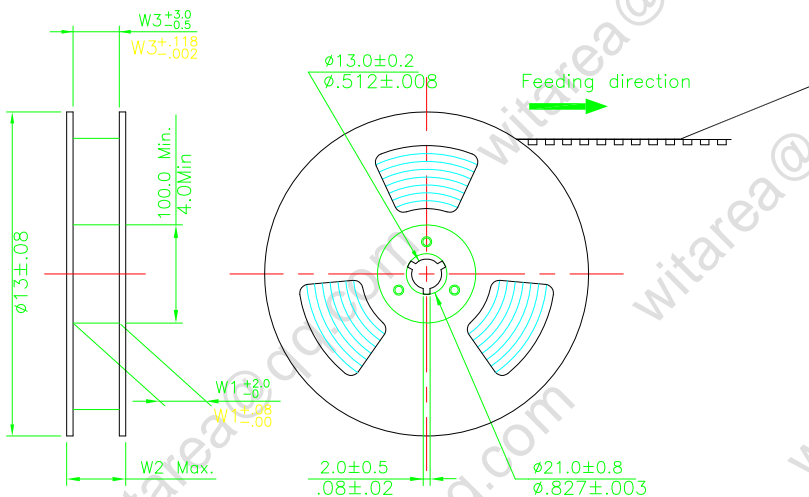
由 Autodesk 教育版产品制作

由 Autodesk 教育版产品制作

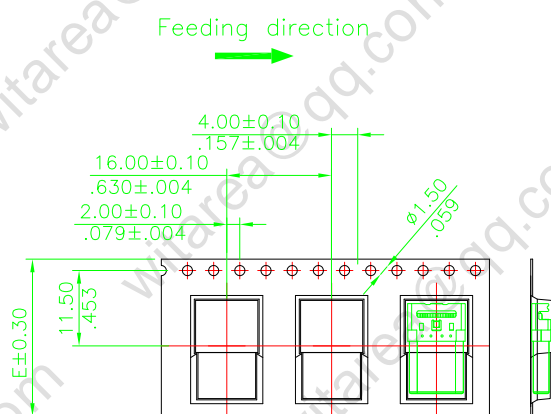
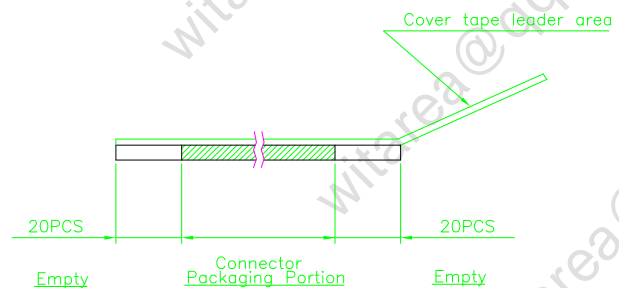
RoHS Compliant

THIS DRAWING CONTAINS INFORMATION THAT IS PROPRIETARY TO WITAREA TECHNOLOGY, AND SHOULD NOT BE USED WITHOUT WRITTEN PERMISSION

REV	ECN No.	DATE	REMARK
A	NEW	2021.09.28	NEW RELEASE



- NOTE :
- * Reel Material : HIPS
 - * Carrier Material : Black, Conductive Polystyrene Alloy
 - * Cover Tape Material : Polyester
 - * Cover Tape Peel Strength : 0.1N – 1.3N
 - * Carrier camber is within 1mm in 250mm
 - * All dimensions meet EIA-481-B requirements.
 - * Quantity : 1000 PCS/Reel



WIDTH : 24 mm Carrier

PART NO.: SEE THE PART NUMBER CODE		深圳市纬域科技有限公司 SHENZHEN WITAREA TECHNOLOGY CO., LTD		DRAWN BY SAM	DATE 2022.07.11
QUALITY SYMBOL	0	GENERAL TOLERANCES (UNLESS SPECIFIED)		CHECKED BY JAY	DATE 2022.07.11
	0	x.xxxxx	± ---	APPROVED BY JACKY	DATE 2022.07.11
	0	x.xxx	± 0.10		
	0	x.xx	± 0.25		
0	x.x	± 0.30			
11	ANGULAR	± ---			
DWG.NO. W0025-24-MM1-S3		SHEET NO. 3 OF 3		SCALE 1:1	
DIMENSION STYLE MM ONLY		DESIGN UNITS METRIC		THIRD ANGLE PROJECTION	