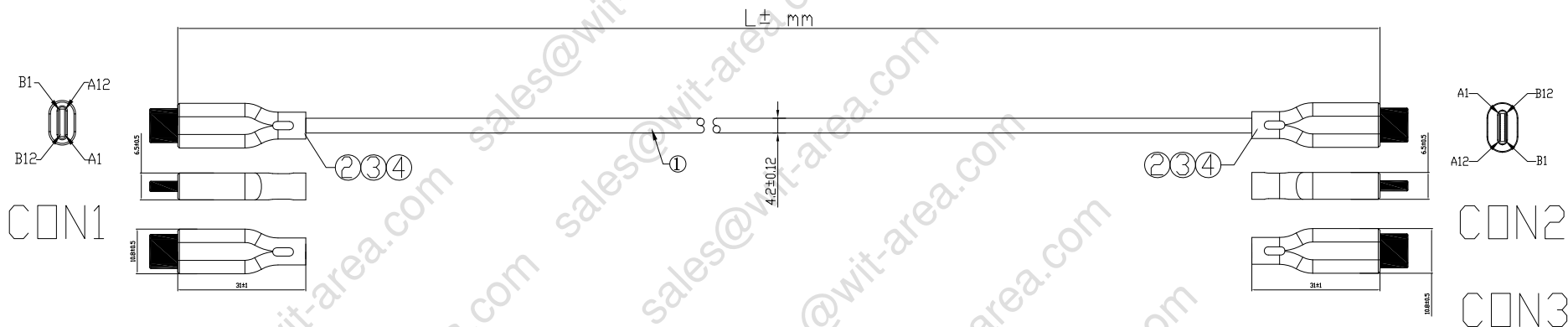


RoHS Compliant

THIS DRAWING CONTAINS INFORMATION THAT IS PROPRIETARY TO WITAREA TECHNOLOGY, AND SHOULD NOT BE USED WITHOUT WRITTEN PERMISSION

REV	ECN No.	DATE	REMARK
A	NEW	2021.07.21	新版发行

CUSTOM CABLE DESIGN GUIDE



- 1.CONNECTOR TYPE: 1.1 OVER-MOLDING TYPE,USB PLUG,D-SUB PLUG,AND ECT.
1.2 CRIMP TERMINAL TYPE:MOLEX,JST,TE,AMP AND ECT.
1.3 HD CONNECTOR, ODU,BINDER,FISCHER AND ECT.
- 2.TOOLING TYPE: 2.1 ON-THE-SHELF TYPE,
2.2 CUSTOM TYPE,STRAIN RELIEF,
- 3.WIRE TYPE: 3.1 SINGLE WIRE.COLOR,UL STANDARD,WIRE GAUGE
3.2 MULTICONDUCTOR JACKET CABLE,COLOR,UL STANDARD,WIRE SPECIFICATION
3.3 CUSTOM WIRE
- 4.WIRING DIAGRAM 4.1 STANDARD WIRING DIAGRAM
4.2 CUSTOM WIRING DIAGRAM

5.TOLERANCE

6.BOM

7.OTHER REQUIREMENTS

9	CARTON	450*320*250MM		PCS
8	PE BAG	800*800*0.05MM		PCS
7	TIE	白色PVC扎带 L=80MM*2	1	PCS
6	SCREW	螺丝表面镀镍	2	PCS
5	OVER-MOLD	45P白色插头胶料	22	g
4	PRE-MOLD	透明PE料	12	g
3	CON2	TYPE-C3.0 黑色胶芯PIN针镀金G/F铁壳镀镍下拉5.1K电阻+10NF电容	1	PCS
2	CON1	USBA/F 3.0 蓝色胶芯PIN针镀金G/F铁壳镀镍+铁护套	1	PCS
1	CABLE	02725-301-A00 28AWG 2P+ 28AWG 1P+24AWG 2C USB3.0 White	3	M
No.	PART NAME	DESCRIPTION	Q'TY	UNIT

PART NO.: SEE THE PART NUMBER CODE		深圳市纬域科技有限公司 SHENZHEN WITAREA TECHNOLOGY CO., LTD		DRAWN BY SAM	DATE 2021.07.21
QUALITY SYMBOL		TITLE USB TYPE-C/M 3.0 TO USB TYPE-C/M L=3000MM WHITE		CHECKED BY JAY	DATE 2021.07.21
GENERAL TOLERANCES (UNLESS SPECIFIED)		DWG.NO. TSC-AEW001-A03		APPROVED BY JACKY	
x.xxxx	± ---	SHEET NO. 1 OF 1		DATE 2021.07.21	
x.xxx	± 0.10	SCALE 1:1		THIRD ANGLE PROJECTION	
x.xx	± 0.25	DIMENSION STYLE MM ONLY			
x.x	± 0.30	DESIGN UNITS METRIC			
ANGULAR	± ---°				